

Sunmodule® SW 50-55 poly RMA



Produced in Germany,
the center for solar technology



TUV Power controlled:
Lowest measuring tolerance in industry



25 year linear performance warranty and
10 year product warranty



SolarWorld AG relies on Germany as its technology location, thereby ensuring sustainable product quality.

The TUV Rheinland Power controlled inspection mark guarantees that the nominal power indicated for solar modules is inspected at regular intervals and thus ensured. The deviation to TUV is maximum 2 percent.

With its linear performance warranty covering a period of 25 years, SolarWorld guarantees a maximum performance depression of 0.7% p.a., a significant added value compared to the two-phase warranties common in the industry. Therefore, the service certificate offers comprehensive protection for your investment in the long term.

Sunmodule® SW 50-55 poly RMA

PERFORMANCE UNDER STANDARD TEST CONDITIONS (STC)*

		SW 50	SW 55
Maximum power	P_{max}	50 Wp	55 Wp
Open circuit voltage	U_{oc}	22.1 V	22.1 V
Maximum power point voltage	U_{mpp}	18.2 V	18.1 V
Short circuit current	I_{sc}	2.95 A	3.28 A
Maximum power point current	I_{mpp}	2.75 A	3.05 A

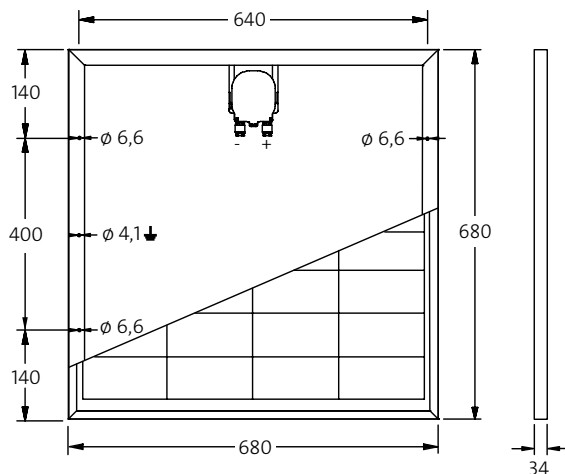
Measuring tolerance (P_{max}) traceable to TÜV Rheinland: +/- 2% (TUV Power controlled)

*STC: 1000W/m², 25°C, AM 1.5

PERFORMANCE AT 800 W/m², NOCT, AM 1.5

		SW 50	SW 55
Maximum power	P_{max}	35.9 Wp	39.6 Wp
Open circuit voltage	U_{oc}	19.8 V	19.8 V
Maximum power point voltage	U_{mpp}	16.3 V	16.2 V
Short circuit current	I_{sc}	2.38 A	2.64 A
Maximum power point current	I_{mpp}	2.2 A	2.44 A

Minor reduction in efficiency under partial load conditions at 25°C: at 200 W/m², 100% (+/-2%) of the STC efficiency (1000 W/m²) is achieved.



DIMENSIONS

Length	680 mm
Width	680 mm
Height	34 mm
Frame	Aluminum
Weight	5.6 kg

COMPONENT MATERIALS

Cells per module	36
Cell type	Poly crystalline
Cell dimensions	62 mm x 156 mm
Front	tempered glass (EN 12150)

THERMAL CHARACTERISTICS

NOCT	46 °C
TC I_{sc}	0.081 %/K
TC U_{oc}	-0.37 %/K
TC P_{mpp}	-0.45 %/K

ADDITIONAL DATA

Power sorting	+/- 10 %
J-Box	IP65

PARAMETERS FOR OPTIMAL SYSTEM INTEGRATION

Maximum system voltage SC II	1000 V
Maximum reverse current	15 A
Load / dynamic load	5.4 / 2.4 kN/m ²
Number of bypass diodes	2
Operating range	-40 °C to +85 °C

