

Sunmodule® SW 150 poly R6A



Data sheet



Produced in Germany,
the center for solar technology



www.tuv.com
ID 0000039351

TUV Power controlled:
Lowest measuring tolerance in industry



25 year performance warranty and
5 year product warranty

SolarWorld AG relies on Germany as its technology location, thereby ensuring sustainable product quality.

The TUV Rheinland Power controlled inspection mark guarantees that the nominal power indicated for solar modules is inspected at regular intervals and thus ensured. The deviation to TUV is maximum 2 percent.

Resistant to extreme weather conditions: SolarWorld modules, tested and certified, are resistant against sandstorms, high winds or saline environments.

Sunmodule® SW 150 poly R6A



PERFORMANCE UNDER STANDARD TEST CONDITIONS (STC)*

		SW 150
Maximum power	P_{max}	150 Wp
Open circuit voltage	U_{oc}	22.5 V
Maximum power point voltage	U_{mpp}	18.3 V
Short circuit current	I_{sc}	8.81 A
Maximum power point current	I_{mpp}	8.27 A

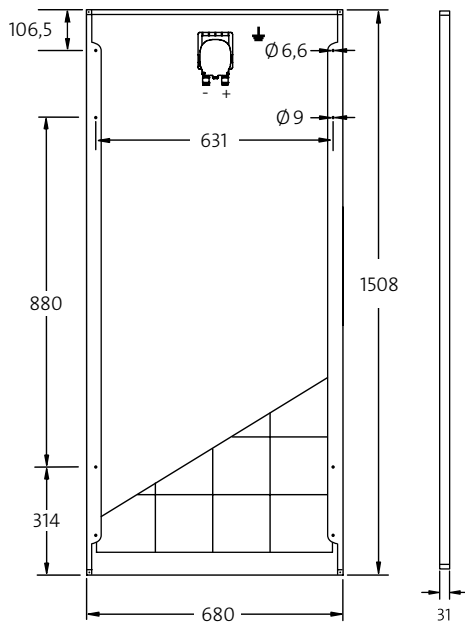
Measuring tolerance (P_{max}) traceable to TUV Rheinland: +/- 2% (TUV Power controlled)

*STC: 1000W/m², 25°C, AM 1.5

PERFORMANCE AT 800 W/m², NOCT, AM 1.5

		SW 150
Maximum power	P_{max}	110.1 Wp
Open circuit voltage	U_{oc}	20.5 V
Maximum power point voltage	U_{mpp}	16.6 V
Short circuit current	I_{sc}	7.17 A
Maximum power point current	I_{mpp}	6.62 A

Minor reduction in efficiency under partial load conditions at 25°C: at 200 W/m², 100% (+/-2%) of the STC efficiency (1000 W/m²) is achieved.



DIMENSIONS

Length	1508 mm
Width	680 mm
Height	31 mm
Frame	Clear anodized aluminum
Weight	11.8 kg

COMPONENT MATERIALS

Cells per module	36
Cell type	Poly crystalline
Cell dimensions	156 mm x 156 mm
Front	tempered glass (EN 12150)

THERMAL CHARACTERISTICS

NOCT	46 °C
TK I_{sc}	0,051 %/K
TK U_{oc}	-0,31 %/K
TK P_{mpp}	-0,41 %/K

ADDITIONAL DATA

Power sorting	+/- 5 %
Junction box	IP 65

PARAMETERS FOR OPTIMAL SYSTEM INTEGRATION

Maximum system voltage SC II	1000 V
Maximum reverse current	15 A
Load / dynamic load	5.4 / 2.4 kN/m ²
Number of bypass diodes	2
Operating range	-40°C bis +85°C

