

Sunmodule[®] SW 80 mono RHA



Data Sheet



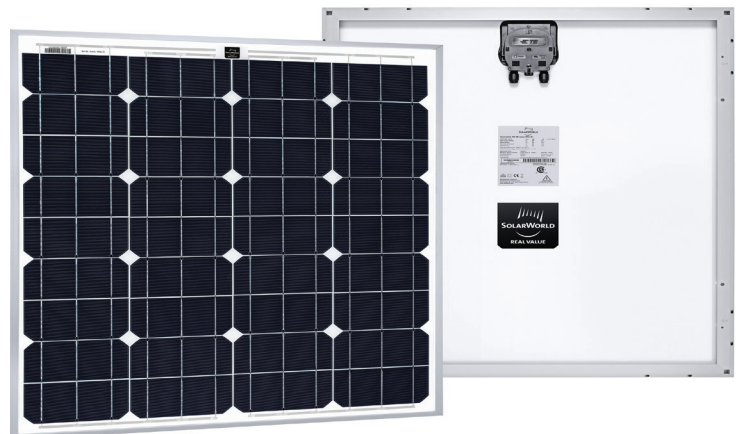
Produced in Germany,
the center for solar technology



TUV Power controlled:
Lowest measuring tolerance in industry



25 year performance warranty and
5 year product warranty



SolarWorld AG relies on Germany as its technology location, thereby ensuring sustainable product quality.

The TUV Rheinland Power controlled inspection mark guarantees that the nominal power indicated for solar modules is inspected at regular intervals and thus ensured. The deviation to TUV is maximum 2 percent.

Resistant to extreme weather conditions: SolarWorld modules, tested and certified, are resistant against sandstorms, high winds or saline environments.

Sunmodule® SW 80 mono RHA



PERFORMANCE UNDER STANDARD TEST CONDITIONS (STC)*

		SW 80
Maximum power	P_{max}	80 Wp
Open circuit voltage	U_{oc}	22,5 V
Maximum power point voltage	U_{mpp}	18,5 V
Short circuit current	I_{sc}	4,66 A
Maximum power point current	I_{mpp}	4,35 A

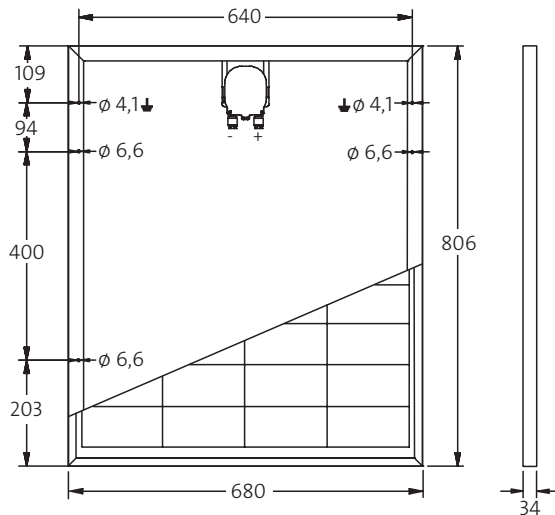
Measuring tolerance (P_{max}) traceable to TUV Rheinland: +/- 2% (TUV Power controlled)

*STC: 1000W/m², 25°C, AM 1.5

PERFORMANCE AT 800 W/m², NOCT, AM 1.5

		SW 80
Maximum power	P_{max}	58,1 Wp
Open circuit voltage	U_{oc}	20,3 V
Maximum power point voltage	U_{mpp}	16,7 V
Short circuit current	I_{sc}	3,79 A
Maximum power point current	I_{mpp}	3,48 A

Minor reduction in efficiency under partial load conditions at 25°C: at 200 W/m², 97% (+/-3%) of the STC efficiency (1000 W/m²) is achieved.



COMPONENT MATERIALS

Cells per module	36
Cell type	Mono crystalline
Cell dimensions	78 mm x 156 mm
Front	Tempered safety glass (EN 12150)
Back	Film, white
Frame	Clear anodized aluminum
J-Box	IP65

DIMENSIONS / WEIGHT

Length	806 mm
Width	680 mm
Height	34 mm
Weight	6,2 kg

THERMAL CHARACTERISTICS

NOCT	46 °C
TK I_{sc}	0,044 %/K
TK U_{oc}	-0,30 %/K
TK P_{mpp}	-0,43 %/K

PARAMETERS FOR OPTIMAL SYSTEM INTEGRATION

Power sorting	-5 Wp / +10 Wp
Maximum system voltage SC II	1000 V
Maximum reverse current	15 A
Load / dynamic load	5,4 / 2,4 kN/m ²
Number of bypass diodes	2
Operating range	-40°C bis +85°C



www.tuv.com
ID 0000039351



ORDERING INFORMATION

Order number	Description
82000144	Sunmodule SW 80 mono RHA